

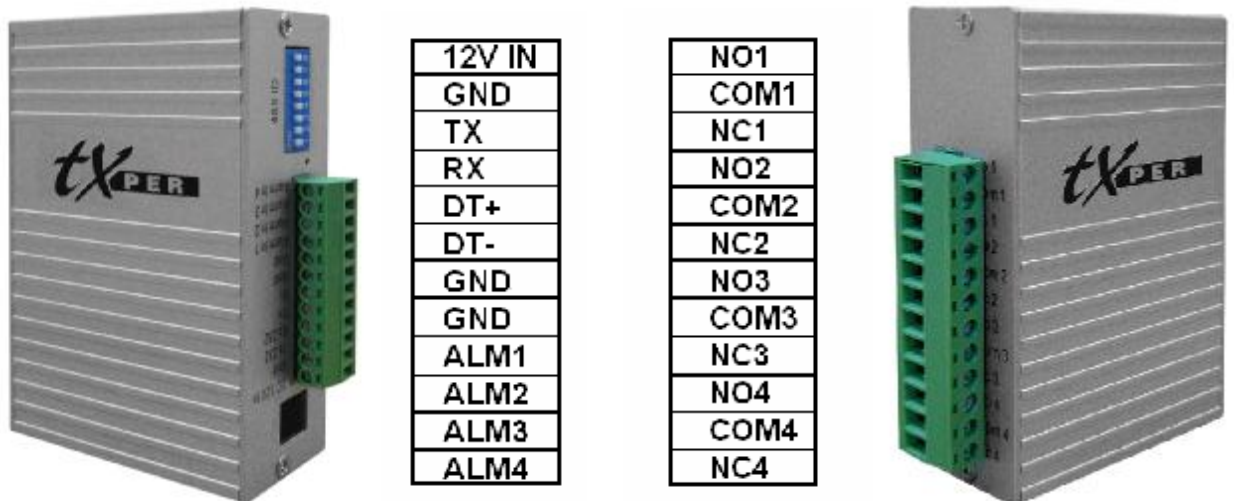
Tech Issue	TXP-014	Created	Jan. 20, 2009
		Modified	Oct. 18, 2010
Category	Configuration		
Product	All products		
Title	How to setup nGPIO Alarm GPIO Expansion module?		

How to setup nGPIO Alarm GPIO Expansion module?

The CMS allows you to add more then 16 nGPIO devices from the nVS or IP Cameras.

Each nGPIO device provides you 4 Alarm In and 4 Alarm out of the sensor and the controller devices.

About how to connect the wire from the GPIO devices to the sensor and controller devices you can reference to the connectors list below.



DIP Switch adjust table:

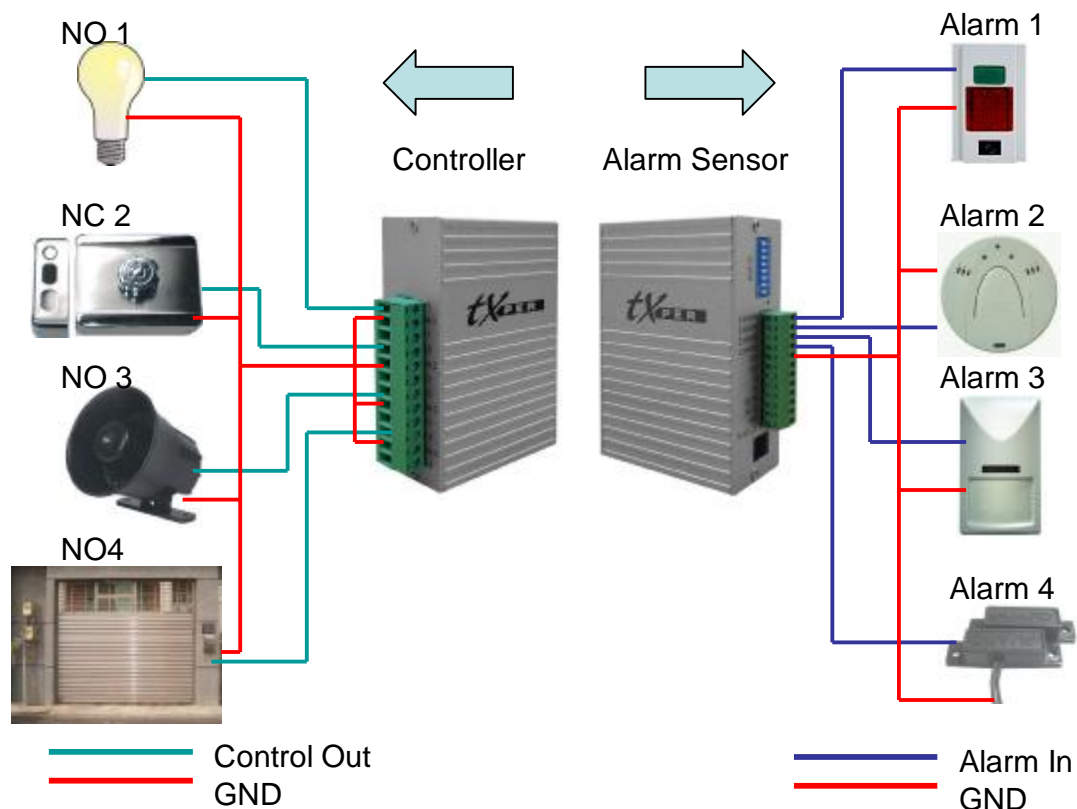
BIT1~4 for ID, BIT5~7 for Baud Rate, BIT8 for transmission mode.

DIP SWITCH BIT 1,2,3,4	DIP SWITCH BIT 5,6,7
ID00: 0,0,0,0 / ID01: 1,0,0,0	Relay Test : 1,1,1
ID02: 0,1,0,0 / ID03: 1,1,0,0	1200 bps : 0,1,1
ID04: 0,0,1,0 / ID05: 1,0,1,0	2400 bps : 1,0,1
ID06: 0,1,1,0 / ID07: 1,1,1,0	4800 bps : 0,0,1
ID08: 0,0,0,1 / ID09: 1,0,0,1	9600 bps : 1,1,0
ID10: 0,1,0,1 / ID11: 1,1,0,1	19200 bps : 0,1,0
ID12: 0,0,1,1 / ID13: 1,0,1,1	38400 bps : 1,0,0
ID14: 0,1,1,1 / ID15: 1,1,1,1	57600 bps : 0,0,0


DIP SWITCH BIT 8 : 0->RS485Mode, 1->RS232Mode


The steps listed below show you how to configure all the hardware and software:


1. Use the DIP Switch to change the ID / Baud Rate / Mode setting.
2. Please connect the devices as the example picture shows below:



After connected all the devices then you will need to setup and define each device on the CMS server.

1. Start the CMS server software, and click on the  Icon to enter Setup Mode.

2. Click on the device which has the nGPIO device attached will the  icon in the cameras setting page.

3. Click  to call out nGPIO setup panel as below:

In			Out		
<input checked="" type="checkbox"/>	<input type="text"/>	NO	<input checked="" type="checkbox"/>	<input type="text"/>	Toggle
<input checked="" type="checkbox"/>	<input type="text"/>	NO	<input checked="" type="checkbox"/>	<input type="text"/>	Toggle
<input checked="" type="checkbox"/>	<input type="text"/>	NO	<input checked="" type="checkbox"/>	<input type="text"/>	Toggle
<input checked="" type="checkbox"/>	<input type="text"/>	NO	<input checked="" type="checkbox"/>	<input type="text"/>	Toggle

4. Check the Alarm In and Control Out connector by order (from top to bottom), and you can define the NO (normally open) or NC (normally closed) on Alarm In connector. You can also define the Toggle or Toggle-Off of the Control Out devices.

For more information regarding nGPIO, please go to our website at:

<http://www.telexper.com/telexper-en/products/gpio.html>