

3MP WDR IP Bullet Camera, Indoor/Outdoor



Future-proof Technology

Telexper 3 Megapixel IP Camera series supports full HD (2048x1536) resolution and efficient H.264 video compression, bringing the best solution for network video surveillance.

The IP cameras series with mechanical IR cut and day/night capability supports color at day and black & white at night. It supports PoE (Power over Ethernet), so there is no need for external power supply. Options of fixed lens, manual vari-focal and auto-focus zoom are available for different environments. The outdoor model has IP66 Weather-proof protection housing.

Its remote monitoring applications allow homeowners and businesses to view their camera(s) through any internet connection available through a computer or a 3G phone.

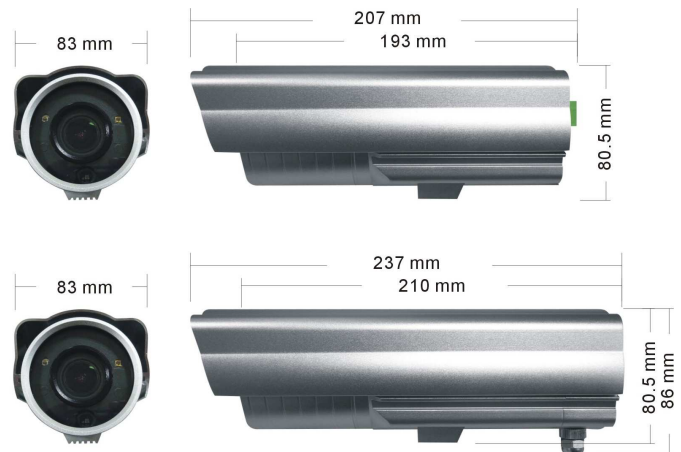
Features:

- 1/3" CMOS Progressive Scan
- Resolution of 2048x1536 @20fps
- Wide Dynamic Range
- PoE (IEEE802.3af, Power over Ethernet)
- True Day and Night (Mechanical IR Cut Filter, IR LED)
- Supports Manual Vari-Focal and Auto-focus zoom lens
- H.264/MJPEG (SOC) dual-mode compression
- Alarm input x 1
- Two-way audio communication over IP networks
- Multi-streaming
- Built-in hardware motion detection
- Metal Aluminum housing
- Excellent heat dissipation
- User-friendly GUI and no configuration is required
- IP66 weather-proof protection housing
- Local SD Card Storage (optional)
- High power IR LED

Built-in PoE
IR LEDs
Multiple Streams
IP66 Housing



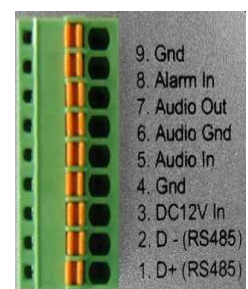
Optional Bracket



Outdoor Model



Local SD Card Storage (optional)



Telexper International Inc.

33235 Transit Avenue, Union City, CA 94587 USA / Phone: 1-510-477-9150 / Fax: 1-510-477-9634

3F.-3, No.2, Jian 8th Rd., Zhonghe Dist., New Taipei City 235, Taiwan (R.O.C.) / Phone: +886-2-6620-5898 / Fax: +886-2-6620-6909 / <http://www.telexper.com> / E-mail: sales-tw@telexper.com

Specification

| | | | |
|--------------------------|---|-------------------------------|--|
| Model | Indoor | nCam-M1134/xx | nCam-M1144/xx |
| | Outdoor(IP66) | nCam-M1136/xx | nCam-M1146/xx |
| Image Sensor | 1/3" CMOS Progressive Scan | | |
| Resolution & Rate | 2048x1536 @ 20fps | | |
| Video Codec | H.264/MJPEG hardware (SOC) compression | | |
| Video Stream | H.264, Multiple Streams | | |
| Video Bit Rate | 5M—6M bps | | |
| Sensitivity | 0.1 Lux @ F1.4 (IR LED off) / 0 Lux @ F1.4 (IR LED On) | | |
| S/N Ratio | > 41 dB | | |
| Electronic Shutter | 1/5 to 1/30000 sec. | | |
| Flickeress | Yes, 1/120 sec.(60Hz) 1/100 sec.(50Hz) | | |
| Exposure | Automatic | | |
| Back Light Compensation | Automatic | | |
| AGC | Automatic | | |
| White Balance | Automatic | | |
| WDR | Up to 100 dB | | |
| Motion Detection | Yes, 4 different areas (hardware) | | |
| Picture Resolution | 2048x1536 | | |
| Lens | Manual Vari-Focal 2.8 mm ~ 12 mm | | Zoom Lens 3 mm ~10.5 mm |
| | Video Adjustment Contrast, Brightness, Saturation, Sharpness | | |
| Day/Night | Yes, Mechanical IR Cut Filter | | |
| IR Led | High Power IR LED x 2 | | |
| IR Sensitivity | 700nm to 1100nm | | |
| IR Distance | 15 meters | | |
| GPIO | Alarm in x 1 | | |
| Control Interface | RS-485 | | |
| 2-Way Audio | Yes, (Audio In x1, Audio Out x1) | | |
| Operation System | Linux Embedded | | |
| Processor | ARM 9 ,32 bit RISC | | |
| Security | ID / Password | | |
| Firmware Update | Yes, Remotely | | |
| Watch Dog Timer | Yes | | |
| Network Interface | RJ-45 (10/100/1000 Base-TX) | | |
| Protocol | HTTP, TCP/ IP, UDP, SMTP, FTP, PPPoE, DHCP, DDNS, NTP, UPnP, RTSP/RTP, TMSP | | |
| Power Requirement | PoE (IEEE802.3af) or 12VDC | | |
| Power Consumption | 9W with Higher Power Led ON | | 9.5W with Higher Power Led ON |
| Operating Temperature | -10°C to 50°C, 14°F to 122°F | | |
| Operation Humidity | 5%--95% | | |
| Storage | -30°C to 70°C, -22°F to 158°F | | |
| Dimension (L x W x H) | Indoor | Camera Body: 193 x 77 x 76 mm | Aluminum Sunshield: 207 x 83 x 80.5 mm |
| | Outdoor | Camera Body: 210 x 77 x 76 mm | Aluminum Sunshield: 237 x 83 x 80.5 mm |
| Software SDK | Available upon request | | |

TMSP: Telexper Multiple Stream Protocol
(Specifications subject to change without prior notice)

Telexper International Inc.

33235 Transit Avenue, Union City, CA 94587 USA / Phone: 1-510-477-9150 / Fax: 1-510-477-9634

3F.-3, No.2, Jian 8th Rd., Zhonghe Dist., New Taipei City 235, Taiwan (R.O.C.) / Phone: +886-2-6620-5898 / Fax: +886-2-6620-6909 / <http://www.telexper.com> / E-mail: sales-tw@telexper.com