

# H.264 2M IP Bullet Camera, Indoor/Outdoor



## Future-proof Technology

The Telexper IP Bullet cameras are very versatile, with Mechanical IR Cut Filter, IR LED and PoE. It's True Day and Night capability which means the security camera is color at day and black/white at night. The outdoor model has the IP66 Weather-proof protection housing. The PoE (Power over Ethernet) design eliminates electrical wiring and labor and time.

It is an Internet Protocol (IP) camera designed particularly for the indoor/outdoor surveillance and remote monitoring applications which allow homeowners and enterprises to view their camera(s) through any internet connection from a computer or a 3G phone.

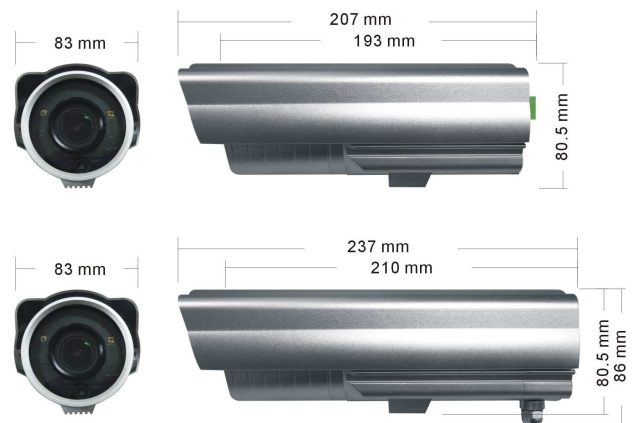
It provides round-the-clock, high quality H.264 video with Internet Protocol which is used for communicating data across a packet-switched network using the internet protocol suite, also referred to as TCP/IP.

## Features:

- 1/3" CMOS Progressive Scan
- Resolution of 1920x1080P, 15fps  
280x720P, NTSC: 30 fps, PAL: 25 fps
- PoE (IEEE802.3af, Power over Ethernet)
- True Day and Night (Mechanical IR Cut Filter, IR LEDs)
- Supports Fixed, Manual Vari-Focal Lens
- IR LEDs, 15M projection
- H.264/MJPEG (SOC) dual-mode compression
- Built-in hardware motion detection
- Alarm input x 1
- Two-way audio communication over IP networks
- Multi-streaming
- Metal Aluminum housing for excellent heat dissipation
- IP66 weather-proof protection housing
- User-friendly GUI and no configuration is required



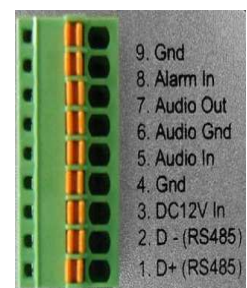
Optional Bracket



Outdoor Model



Local SD Card Storage (optional)



## Telexper International Inc.

33235 Transit Avenue, Union City, CA 94587 USA / Phone: 1-510-477-9150 / Fax: 1-510-477-9634

3F.-3, No.2, Jian 8th Rd., Zhonghe Dist., New Taipei City 235, Taiwan (R.O.C.) / Phone: +886-2-6620-5898 / Fax: +886-2-6620-6909 / <http://www.telexper.com> / E-mail: sales-tw@telexper.com

## Specification

Model	Indoor	nCam-5112R/xx	nCam-5113R/xx
	Outdoor(IP66)	nCam-5112S/xx	nCam-5113S/xx
Image Sensor	1/3" CMOS Progressive Scan		
Resolution & Rate	1920x1080P @15fps / 1280x720P (NTSC: 30 fps, PAL: 25 fps)		
Video Codec	H.264/MJPEG hardware (SOC) compression		
Video Stream	H.264, Multiple Streams		
Video Bit Rate	30K- 4M bps		
Sensitivity	0 Lux (IR On)		
S/N Ratio	> 44 dB		
Electronic Shutter	1/5 to 1/2,000 sec.		
Flickerless	Yes, 1/120 sec.(60Hz) 1/100 sec.(50Hz)		
Exposure	Automatic		
Back Light Compensation	Automatic		
AGC	Automatic		
White Balance	Automatic		
Motion Detection	Yes, 4 different zones in one video image (hardware)		
Picture Resolution	1920x1080P; 1280x720P		
Lens	Fixed Lens	4.3 mm / 6.0 mm / 8.0mm	Manual Vari-Focal 2.8mm~12mm
Video Adjustment	Contrast, Brightness, Saturation, Sharpness		
Day/Night	Yes, Mechanical IR Cut Filter		
IR LED	High power IR LED x2		
IR Sensitivity	700nm to 1100nm		
IR Distance	15 meters / Optional high power IR LED		
GPIO	Alarm in x 1		
Control Interface	RS-485 x 1		
2-Way Audio	Yes, (Audio In x1, Audio Out x1)		
Operation System	Linux Embedded OS		
Processor	ARM 9 ,32 bit RISC		
Security	ID / Password		
Firmware Update	Yes, Remotely		
Watch Dog Timer	Yes		
Network Interface	RJ-45 (10/ 100 Base-T)		
Protocol	HTTP, TCP/ IP, UDP, SMTP, FTP, PPPoE, DHCP, DDNS, NTP, UPnP, RTSP/RTP, TMSP		
Power Requirement	PoE (IEEE802.3af) or 12VDC		
Power Consumption	5W with IR ON		
Operating Temperature	-10°C to 50°C, 14°F to 122°F		
Operation Humidity	5%--95%		
Storage	-30°C to 70°C, -22°F to 158°F		
Dimension (W x H x L)	Indoor	Camera Body: 193 x 77 x 76 mm	Aluminum Sunshield: 207 x 83 x 82 mm
	Outdoor	Camera Body: 210 x 77 x 76 mm	Aluminum Sunshield: 237 x 83 x 82 mm
Software SDK	Available upon request		

TMSP: Telexper Multiple Stream Protocol  
(Specifications subject to change without prior notice)

### Telexper International Inc.

33235 Transit Avenue, Union City, CA 94587 USA / Phone: 1-510-477-9150 / Fax: 1-510-477-9634

3F.-3, No.2, Jian 8th Rd., Zhonghe Dist., New Taipei City 235, Taiwan (R.O.C.) / Phone: +886-2-6620-5898 / Fax: +886-2-6620-6909 / <http://www.telexper.com> / E-mail: sales-tw@telexper.com