

# High-Density Network Video Server

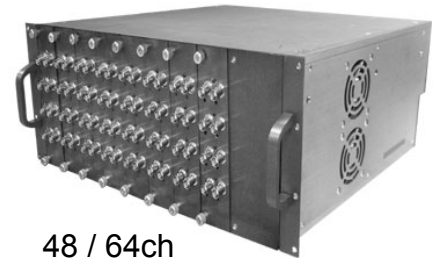


## Features:

- H.264, Motion-JPEG Video Codec
- Hot Swap Blade Design
- Up to 1,920 fps @D1 Resolution Video Stream
- Up to four (4) Video Streams Simultaneous
- Redundant Power Modules Design
- 4U Height, 19" rack mountable cabinet

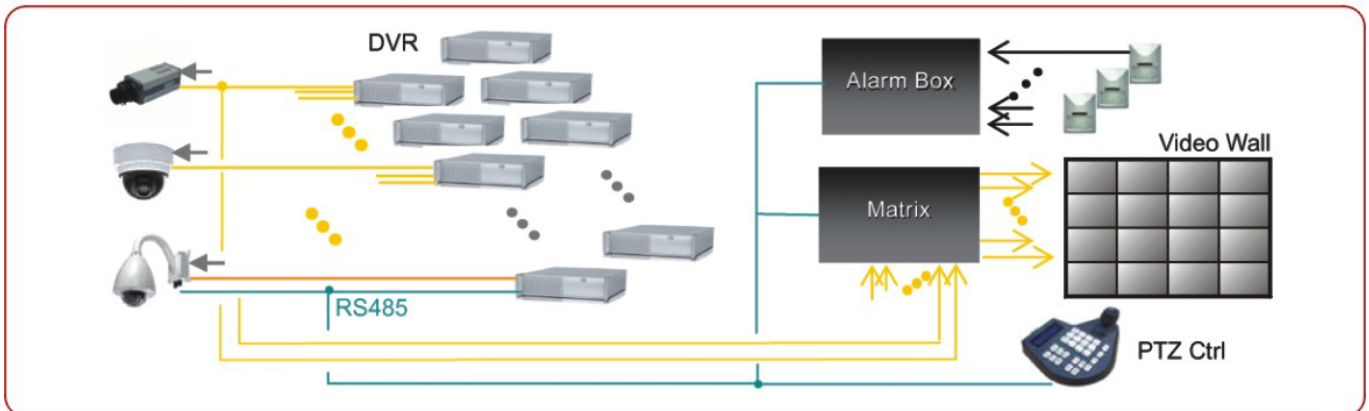


32ch



48 / 64ch

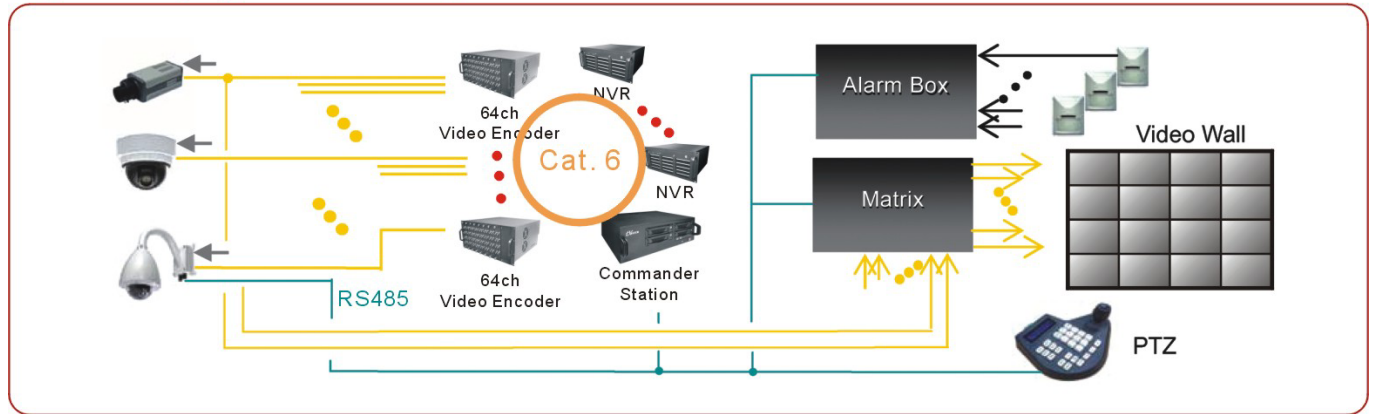
## High-Density Analog CCTV system:



## Best Way to High-Density IP CCTV:

Equipment Description	System Type	Way to IP World			
		Transition Phase			100% IP CCTV
Analog Camera	Analog	██████████	Broken	-----	-----
Digital Video Recorder	Analog	Broken	-----	-----	-----
Matrix	Analog	██████████	Broken	-----	-----
PTZ Controller	Analog	██████████	-----	-----	-----
Network Video Encoder	IP-based	New	██████████	██████████	██████████
Network Video Recorder	IP-based	New	██████████	██████████	██████████
Commander Station Ultimate	IP-based	New	██████████	██████████	██████████
Network Day&Night PoE Camera	IP-based	-----	New	██████████	██████████
Network Matrix Decoder	IP-based	-----	-----	New	██████████

## High-Density Hybrid IP CCTV system:



### Specification:

<b>Model no</b>	
nVS-32	32ch Video Encoder
nVS-48	48ch Video Encoder
nVS-64	64ch Video Encoder
<b>Electrical:</b>	
Operating System	Linux
Video Format	NTSC/ PAL
Video Input (Analog Camera)	
nVS-32	BNC x 32
nVS-48	BNC x 48
nVS-64	BNC x 64
Video Codec	H.264 / M-JPEG
Video Stream	Up to four (4) streams simultaneous
Video Resolution	Either D1 or CIF
Video Frame Rate	30/ 25 fps (NTSC/ PAL) , D1/ CIF
Total Video Frame Rate	
nVS-32	960/ 800 fps, D1/ CIF
nVS-48	1,440/ 1,200 fps, D1/ CIF
nVS-64	1,920/ 1,600 fps, D1/ CIF
Motion Detection	Built-in
Network Interface	1,000Base-T (RJ45) x 3
Network Bandwidth	1, 000Mbps
Protocol	TCPIP, TMSP
Hot Swap	Support
Hardware Watch Dog	Built-in

TMSP: Telexper Multiple Stream Protocol  
(Specifications are subject to change without notice)

<b>Power Requirement:</b>	
Power Input	Redundant x 2
Input Range	90 to 265 Vac, 47 to 63 Hz
Power Consumption	150W (max)
<b>Mechanical:</b>	
Enclosure	Metal material
Dimension (L x W x H)	490 x 430 x 219 mm
Weight	
nVS-32	4.7 KGS
nVS-48	5.1 KGS
nVS-64	5.5 KGS
<b>Environment:</b>	
Operating	0 to 50°C, 10% to 80% R.H.
Storage	(-)10 to (+) 70°C, 5% to 95%
<b>Approvals</b>	<b>CE, LVD, FCC, RoHs</b>
<b>Add-on Video Encoder Blade (for nVS32 &amp; nVS-64 only)</b>	
Model number	nVS-8B
Operating System	Linux
Video Format	NTSC/ PAL
Video Input	BNC x 8
Video Codec	H.264 & MJPEG video stream
Video Stream	Up to four (4) streams simultaneous
Video Resolution	Either D1 or CIF
Video Frame Rate	30/ 25 fps, D1/ CIF
Total Video Frame Rate	240/ 200 fps, D1/ CIF
Motion Detection	Built-in

### Other Components of Telexper IP System:

- Gigabit PoE HUB (nHub series)
- Hybrid DVR (nHybrid series)
- Network Commander Station (nCS series)
- Network Matrix Decoder (nMD series)
- Network Central Management Software (nCMS series)
- Network Video Server ( nVS series)
- Network Alarm GPIO Expansion Module (nGPIO)

#### Telexper International Inc.

33235 Transit Avenue, Union City, CA 94587 USA / Phone: 1-510-477-9150 / Fax: 1-510-477-9634

3F.-3, No.2, Jian 8th Rd., Zhonghe Dist., New Taipei City 235, Taiwan (R.O.C.) / Phone: +886-2-6620-5898 / Fax: +886-2-6620-6909 / <http://www.telexper.com> / E-mail: sales-tw@telexper.com